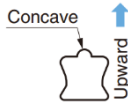


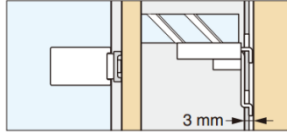
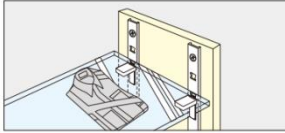
GAP-DM Shelf Standard (Surface Mount)

Features

- Aluminium shelf standard
- 3 finishes (Plain, White & Black) available
- Easy to cut to desired length
- Screw hole located every 120 mm
- New slot shape to prevent shelf support from falling off



Application Example

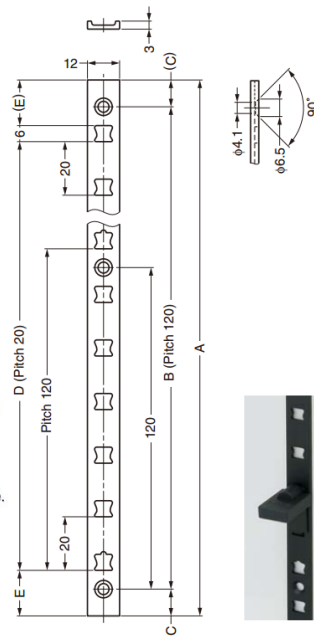


Sold Separately

- Shelf support **GAP-FB20**
- End cap **GAP-EC20**
- Steel Screws (1 set: 100pcs)



Special screw in silver/white finish available.



Part No.	Screw Set	Finish
GAP-SC3-16	Countersunk Head Tapping Screw 3x16	Paint/Silver
GAP-SC3-16WT	Countersunk Head Tapping Screw 3x16	Paint/White
GAP-SC3-30	Countersunk Head Tapping Screw 3x30	Paint/Silver
GAP-SC3-30WT	Countersunk Head Tapping Screw 3x30	Paint/White
GAP-SC3-16BL	Countersunk Head Tapping Screw 3x16	Paint/Black
GAP-SC3-30BL	Countersunk Head Tapping Screw 3x30	Paint/Black

Screw Material	Screw Finish
Steel	Body: Yellow Zinc Chromate Head: Paint/Silver, White, Black

Part No.	Type	A	B	C	D	E	Material	Finish	Holes
GAP-DM1820	Surface Mount	1,820	18,00	10	1,780	17	Aluminium Alloy	Anodized Silver	16
GAP-DM1820WT								White	
GAP-DM1820BL								Black	
GAP-DM2600								Anodized Silver	

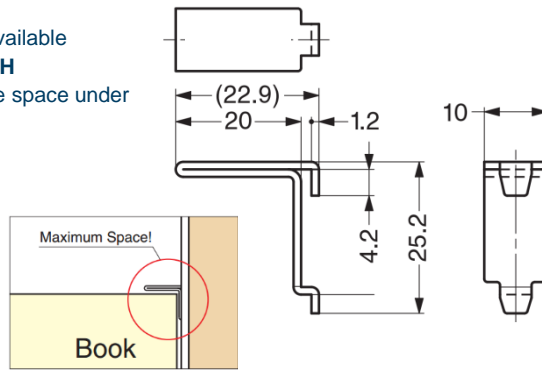
GAP-FB20 Shelf Support

Features

- Mirror and black colour available
- For **GAP-DM** and **GAP-DH**
- Designed to maximize the space under the shelf

Sold Separately

- Shelf support cap **GAP-FC20** (below)
- Shelf holder **GAP-FA20**
- Shelf holder **GAP-FK20**

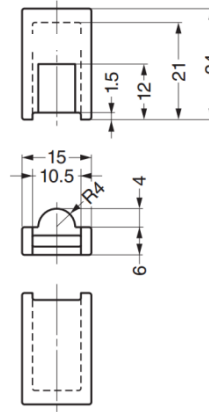
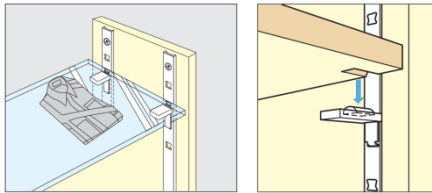


Part No.	Material	Finish	Load Capacity / 4 pcs	
GAP-FB20	Stainless Steel 430	Mirror	441 N	45 kg
GAP-FB20L		Black		

GAP-FC20 Shelf Support Cap

Features

- Light grey and black colour available
- For shelf support **GAP-FB20** (above)
- Insert the cap with half round shape facing up, and cutout the shelf to prevent from sliding

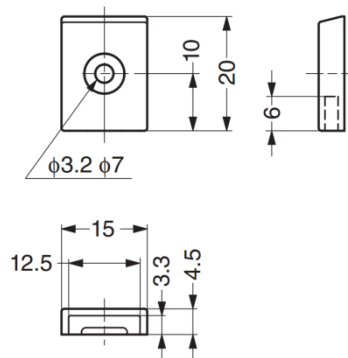


Part No.	Material	Finish
GAP-FC20	Elastomer (TPE)	Light Grey
GAP-FC20-BL		Black

GAP-EC20 End Cap

Features

- Light grey and black colour available
- For **GAP-DM** and **GSPE**



Part No.	Material	Finish
GAP-EC20	ABS	Light Grey
GAP-EC20-BL		Black

GAP-FA20 Shelf Holder

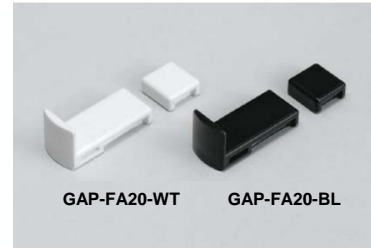
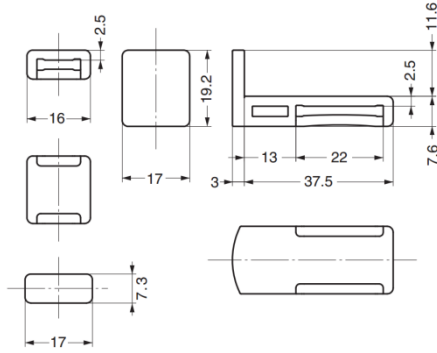
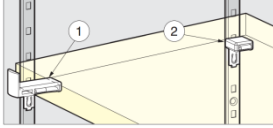
Features

- Use with **GSPE-FB20S**, **GAP-FB20**

Remarks

- Sold in sets (2 parts), 2 sets are necessary for 1 shelf

Installation



GAP-FA20-WT

GAP-FA20-BL

Shelf Support	Board Thickness	Distance (Centre of shelf standard to edge of the shelf board)	
		①	②
GAP-FB20	Min.12	18 ~ 30	20
GSPE-FB20S	Min.12	17.5 ~ 30.5	21

Part No.	Material	Colour
GAP-FA20-WT	Polyethylene (PE)	White
GAP-FA20-BL		Black

GAP-FK20D Shelf Support Hook

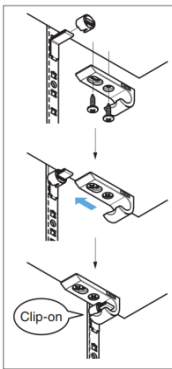
Features

- Shelf support hook to be used with dowel **GAP-FK20C** (below) and shelf support
- Recommended angle: 0~60°
- Temporary holding feature

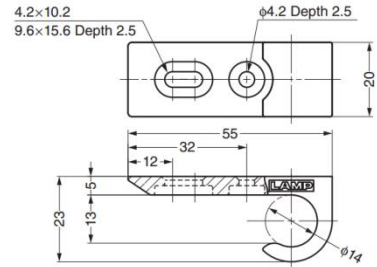
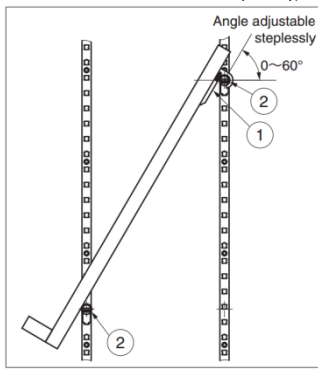
Remarks

- Used in pairs
- Dowel **GAP-FK20C** and shelf support sold separately
- Truss head tapping screw 4x16 (SUS) 2 pcs included

Installation



Application



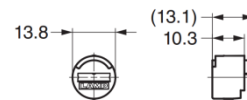
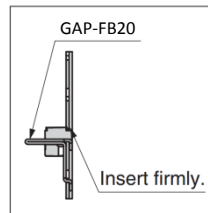
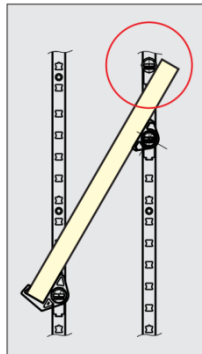
Part No.	Material	Colour	Door Thickness	Load Capacity / 4 pcs
GAP-FK20D	Polyacetal (POM)	White	Min. 18	294 N / 30 kg

GAP-FK20C Dowel

Features

- Recommended to use extra pieces for **GAP-FK20** to hold angled shelf
- For **GSPE-FB20S** and **GAP-FB20**
- 4 pcs are originally included in shelf holder **GAP-FK20**

Installation



Part No.	Material	Colour
GAP-FK20C	Polyethylene (PE)	White

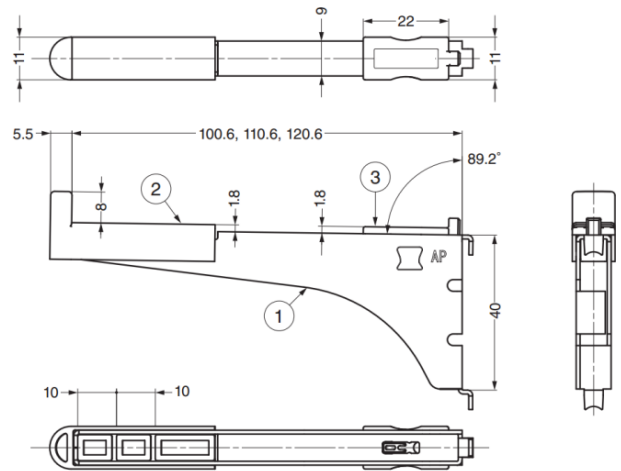
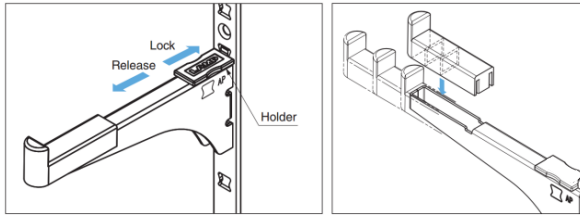
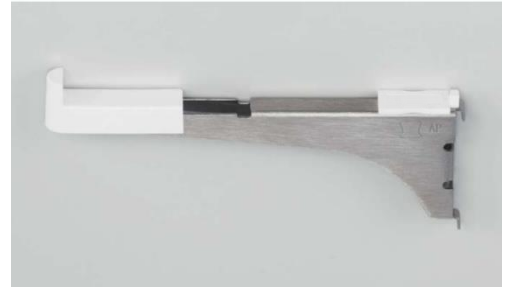
GAP-FB120 Shelf Holder

Features

- Shelf holder for **GAP-DM** shelf standard
- Able to adjust depth in 3 different positions
- With drop off prevention function
- Can be used for glass shelf

Remarks

- Maximum size of shelf board: width 900 mm × 120 mm
- Load capacity of below table is included the weight of the shelf board



No.	Parts Name	Material	Finish/Colour
①	Body	Stainless (SUS430)	Satin
②	Holder	Polypropylene (PP)	White
③	Stopper	Polypropylene (PP)	White

Part No.	Load Capacity / 2pcs
GAP-FB120	49 N 5 kg

GAP-FK20 Shelf Holder With Angle Adjusting Function

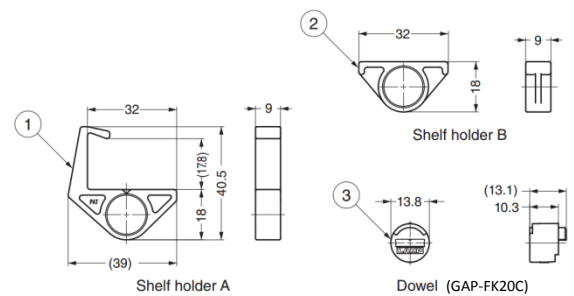
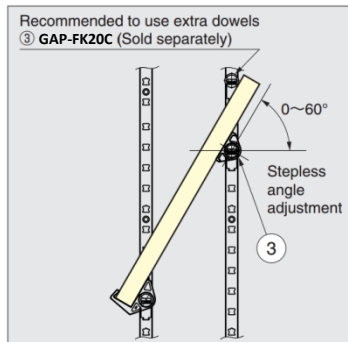
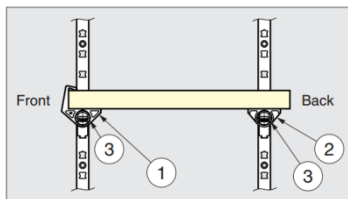
Features

- Stepless angle adjustment
- For **GSPE-FB20S** and **GAP-FB20**

Remarks

- Sold in sets (①2 pcs, ②2 pcs, ③**GAP-FK20C** 4 pcs)
- Dowel **GAP-FK20C** is sold separately for additional use

Installation



No.	Part Name	Colour	Material
①	Shelf Holder A	White	Polyacetal (POM)
②	Shelf Holder B	White	Polyacetal (POM)
③	Dowel	White	Polyethylene (PE)

Part No.	Door Thickness	Load Capacity / 2pcs
GAP-FK20	18~20	98 N 10 kg

GAP-SB350-SL Storage Tray For Shelf Standard

For GAP-DM series

Features

- Designed to install to the shelf standard for storing small articles
- Can be used as a towel rack when bottom plate is removed
- Recommended to install on the back side of the cabinet door using heavy duty concealed hinge **GJ95**

Notes

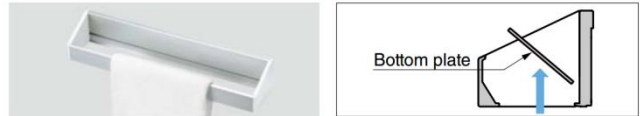
- Spacing between shelf standards shall be within 320 mm
- Before attaching/detaching the product or removing the bottom plate, please read the label attached to the product or the installation instruction
- After installation, check if the upper end of the box and A part is as shown in the detail A. Covering of the holes in the shelf standard or bending of the box may cause falling. In this case, please remove and install it once again



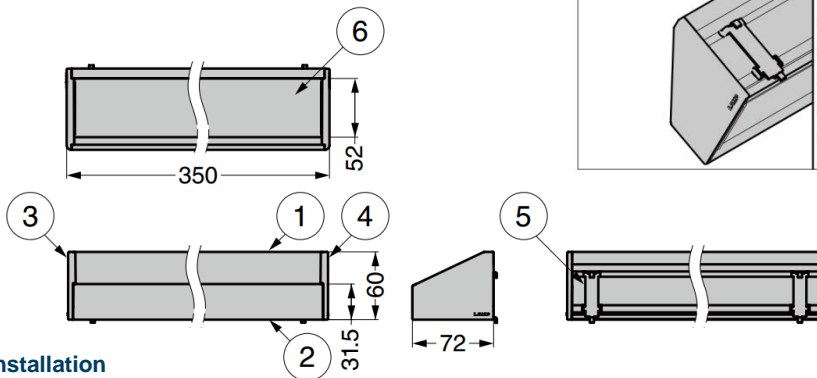
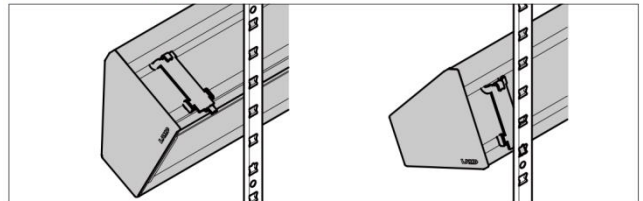
Parts Included

- Shelf standard **GAP-DM**

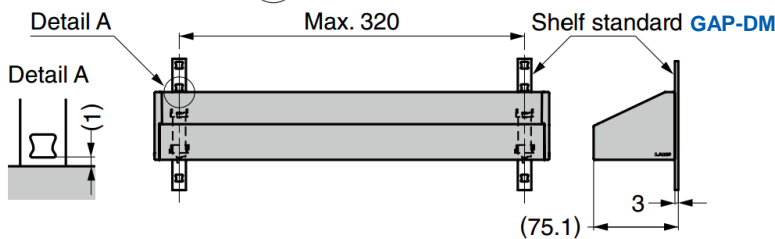
Application Example – With bottom plate removed



How to Install



Installation



No.	Part Name	Material	Finish / Colour
①	Base Plate A	Aluminium Alloy	Anodised Silver
②	Base Plate B		
③	End Cap L	ABS	White
④	End Cap R		
⑤	Bracket	Stainless Steel (SUS304)	Barrel Polished
⑥	Bottom Plate	Aluminium Alloy	Anodised Silver

Part No.	Load Capacity (per piece)	
GAP-SB350-SL	49 N	5 kg

GAP-SP345-SL Plate For Shelf Standard

For GAP-DM series

Features

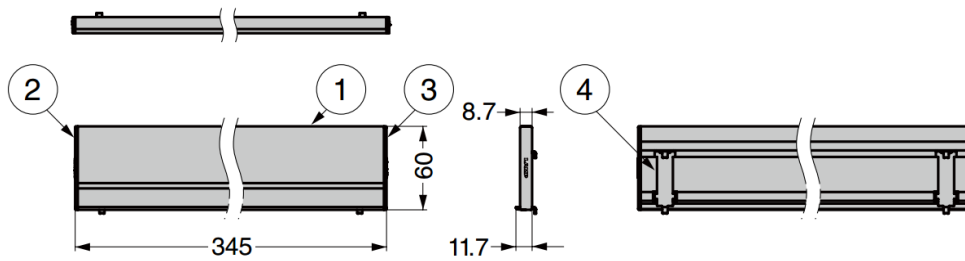
- Designed to install to the shelf standard for hanging hooks

Notes

- Spacing between shelf standards shall be within 320 mm
- Before attaching/detaching the product or removing the bottom plate, please read the label attached to the product or the installation instruction
- After installation, check if the upper end of the box and A part is as shown in the detail A. Covering of the holes in the shelf standard or bending of the box may cause falling. In this case, please remove and install it once again

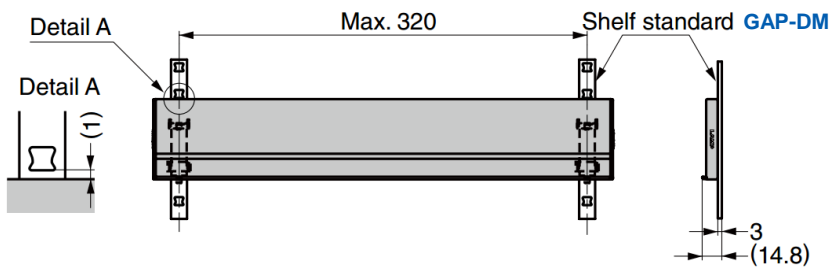
Parts Included

- Shelf standard **GAP-DM**
- Hook for shelf standard **GAP-SH-WT**
- Pipe socket (holder) for shelf standard **GAP-S32PS**



No.	Part Name	Material	Finish / Colour
①	Base Plate A	Aluminium Alloy	Anodised Silver
②	End Cap L	ABS	White
③	End Cap R		
④	Bracket	Stainless Steel (SUS304)	Polished

Installation



Part No.
GAP-SP345-SL

GAP-SH-WT Hook For Shelf Standard

For GAP-DM series

Features

- Designed to install to the plate for shelf standard **GAP-SP345-SL**

Material

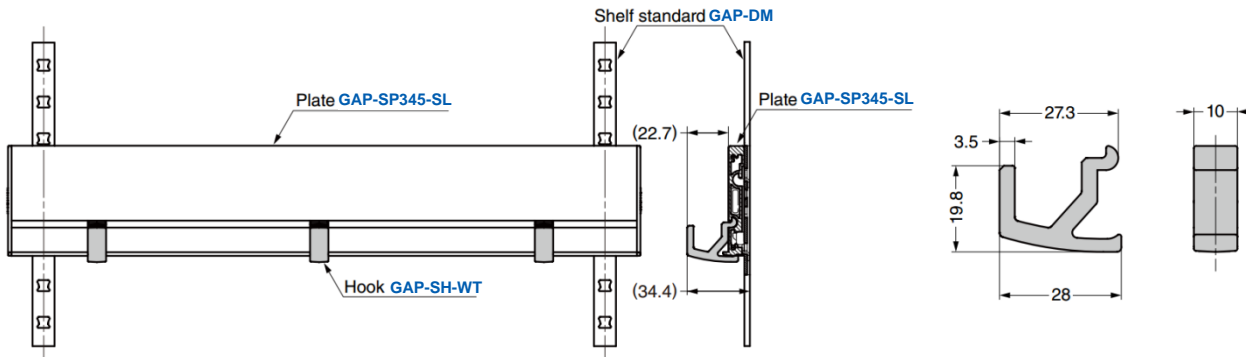
- ABS, white

Notes

- Up to 5 hooks can be installed to 1 plate

Parts Included

- Shelf standard **GAP-DM**
- Plate for shelf standard **GAP-SP345-SL**



Part No.	Load Capacity (per piece)	
GAP-SH-WT	9.8 N	1 kg

GAP-S32PS Pipe Socket For Shelf Standard

For GAP-DM series

Features

- Used for installing hanger pipe to the plate for shelf standard GAPSP345-SL
- Sold in pairs

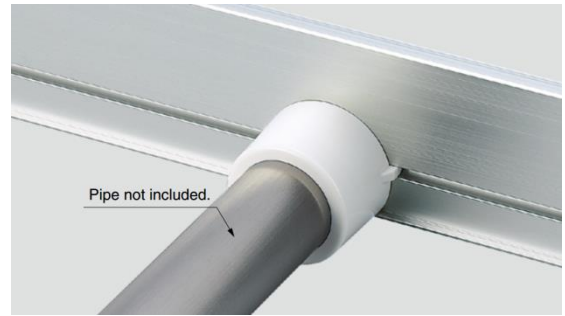
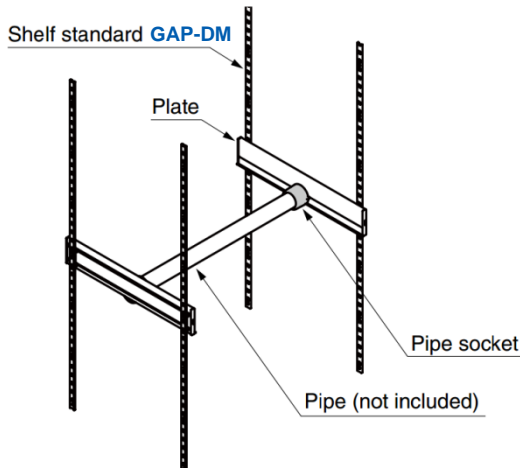
Notes

- 4 shelf standards and 2 plates are required for installing a hanger pipe with this product
- Hanger pipe not included
- For hanger pipe length, please contact Gripwell for assistance
- Up to 2 pcs of pipe sockets can be installed on 1 pair of plates

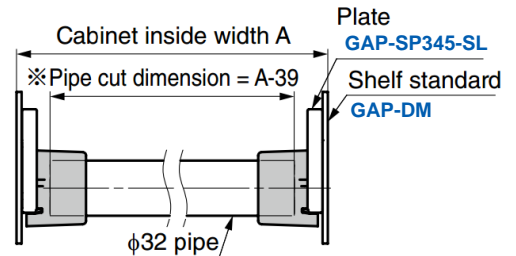
Parts Included

- Shelf standard GAP-DM
- Plate for shelf standard GAP-SP345-SL

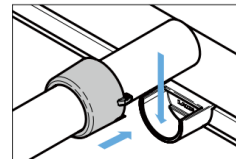
Installation Example



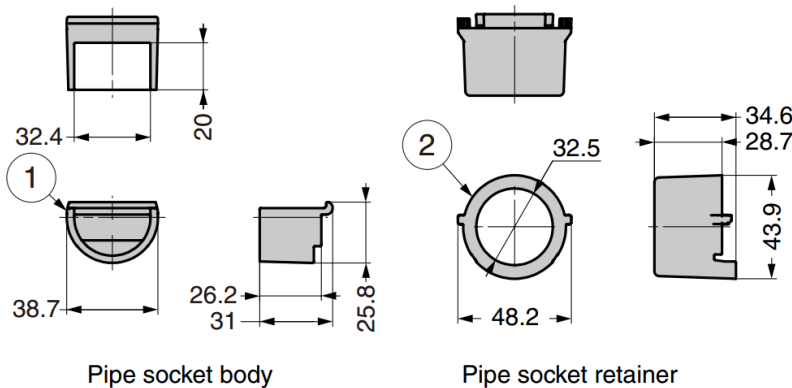
Installation



How to Install



No.	Part Name	Material	Finish / Colour
①	Pipe Socket Body	Zinc Alloy (ZDC)	Clear Zinc Chromate (Trivalent)
②	Pipe Socket Retainer	ABS	White



Pipe socket body

Pipe socket retainer

Part No.	Pipe Diameter	Load Capacity (per set)	
GAP-S32PS	32	441 N	45 kg